

DATA SHEET

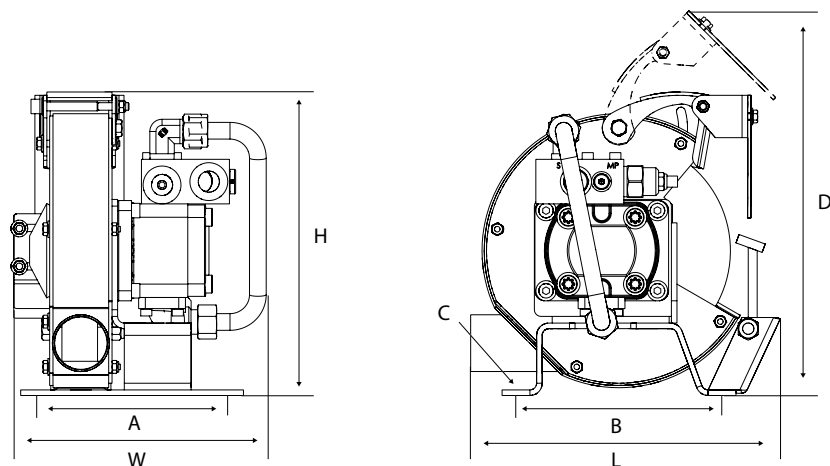
HYDRAULIC BENCH GRINDER



07/18
rev.1.0

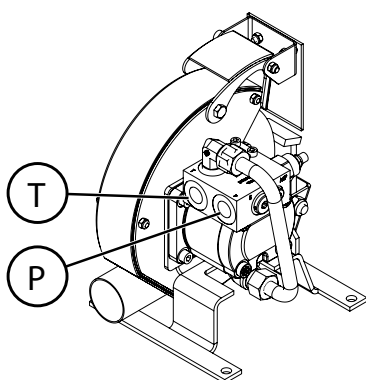
HHK 200 - 12S HHK 200 - 12
HHK 200 - 17S HHK 200 - 17

DIMENSIONS



MODEL	DIMENSIONS, mm (in)						WEIGHT
	L	W	H	A	B	C Ø	kg (lbs)
HHK 200 - 12	301 (11.8)	265 (10.4)	200 (7.9)	180 (7.1)	185 (7.3)	11 (0.45)	12,5 (27.5)
HHK 200 - 17	301 (11.8)	265 (10.4)	200 (7.9)	180 (7.1)	185 (7.3)	11 (0.45)	12,5 (27.5)

CONNECTION PORTS



MODEL	PRESSURE LINE	RETURN LINE
	P	T
HHK 200 - 12	BSP 1/2"	BSP 1/2"
HHK 200 - 17	BSP 1/2"	BSP 1/2"

TECHNICAL SPECIFICATIONS

		HHK 200 - 12	HHK 200 - 17
CHARACTERISTICS			
Speed	rpm	3000	3000
Grindstone mm (in)	Ø	200 (7.9)	200 (7.9)
	Width	9 - 32 (2.37 - 1.26)	9 - 32 (2.37 - 1.26)
	Hole	13 - 32 (0.5 - 1.26)	13 - 32 (0.5 - 1.26)
HYDRAULIC POWER REQUIREMENTS			
Flow min.	l/min (gpm)	12 (3.2)	17 (4.5)
Flow max.	l/min (gpm)	24 (6.4)	34 (9.0)
Pressure max.	bar (psi)	210 (3000)	
HYDRAULIC FLUID REQUIREMENTS			
Viscosity	cSt	100-200 / optimum 25-35	
Temperature *	°C (°F)	max. 70 (160)	
Filter ratio	µm	25 or better	

Gallons are U.S. liquid gallons

* Depending on hydraulic fluid.



Menotie 3
FI-33470 Ylöjärvi, Finland
tel: +358 3 3488 200
info@dynaset.com



ELECTRICITY

HG Hydraulic Generator
HGV POWER BOX Variable Hydraulic Generator System
HGV Variable Hydraulic Generator System
HWG Hydraulic Welding Generator
HGG Hydraulic Ground Power Generator



HIGH PRESSURE WATER

HPW Hydraulic High Pressure Water Pump
HPW Hydraulic Power Washer
KPL High Pressure Street Washing Unit
HPW-DUST High Pressure Dust Suppression System
PPL High Pressure Pipe Cleaning Unit
HPW-FIRE High Pressure Firefighting System
FP Fire Fighting Piercing Kit
HDF Hydraulic Drilling Fluid Pump
JPL High Pressure Bin Washing System
HSP Hydraulic Submersible Pump



COMPRESSED AIR

HK Hydraulic Piston Compressor
HKL Hydraulic Rotary Vane Compressor
HKR Hydraulic Screw Compressor



MAGNET POWER

HMG PRO Hydraulic Magnet Generator
MAG Lift Magnet
HMAG PRO Hydraulic Magnet



VIBRATION

HVB Hydraulic Vibra
HVD Hydraulic Directional Vibra
HRC Hydraulic Reversal Cylinder



POWER BOOSTING

HPI Hydraulic Pressure Intensifier
HPI-C Hydraulic Pressure Intensifier for Cylinder



KNOW-HOW

Hydraulic Power Take-off (PTO)
Hydraulic Power Unit Technology
De-Icing Technology
Installation Valves
HHK Hydraulic Grinder
HV/HVY Hydraulic Winch / Winch Unit

www.dynaset.com

